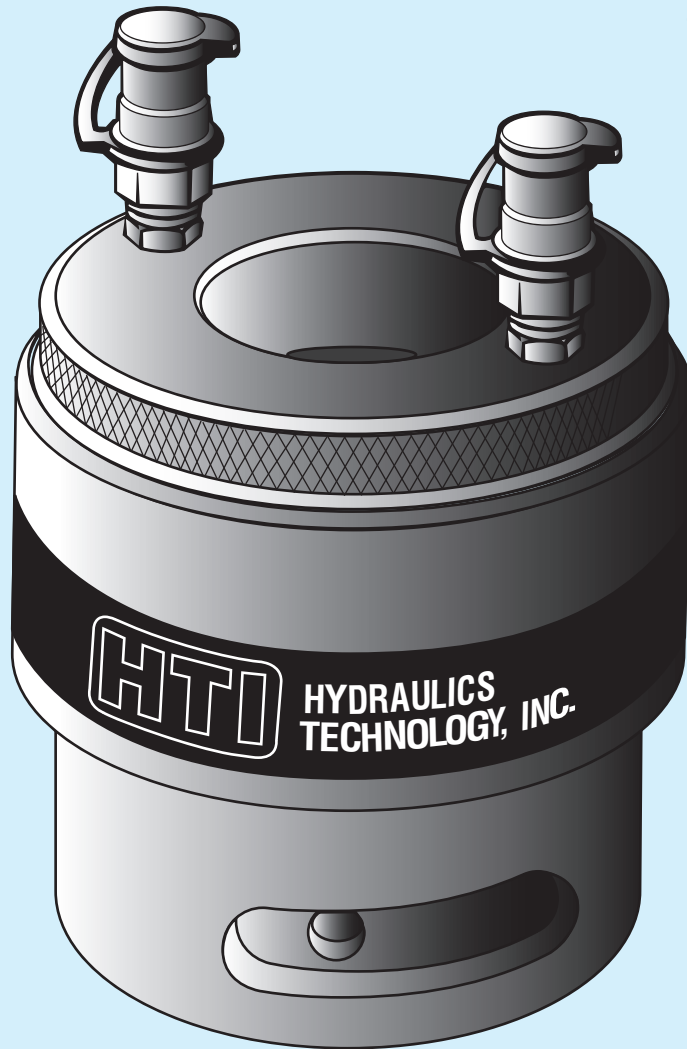


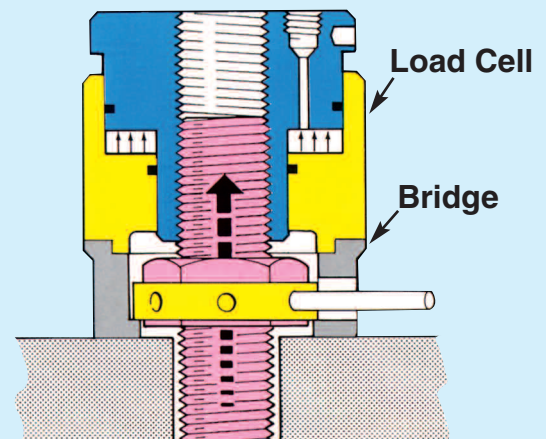
HTI

Hydraulic Stud Tensioning Systems

Fixed Model Stud Tensioner



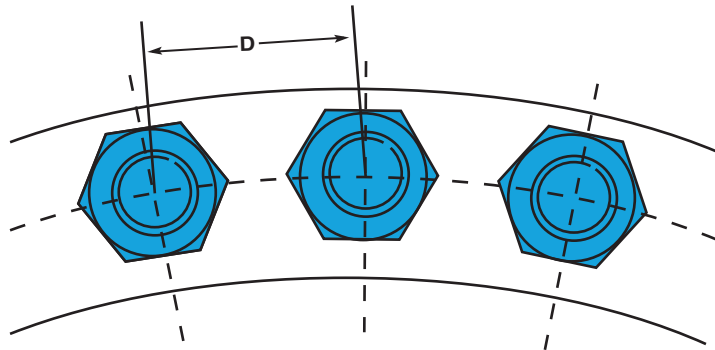
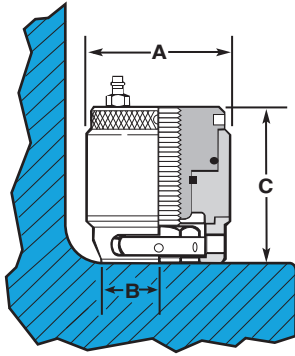
- Trouble-free, No-Leak, Lo-Friction Seals.
- Overstroke Indicator.
- Extra-Long Working Stroke.
- Captive Nut Rotating Socket.
- Compact and Lightweight Design.
- Simple to Operate and Maintain.
- Total Quality Assurance.
 - Dependable Operation.
 - Twin Hydraulic Ports.



Easy and Accurate!

Fixed models are easy to use, accurate, compact, and economical. The operator places the Bridge over the nut and threads the Load Cell onto the stud. He then connects the hoses, applies a predetermined pressure from the pump, and runs the nut down by hand using a nut adjustment bar.

Fixed Model Stud Tensioner Specifications



- A minimum of one thread diameter of thread engagement is recommended.
- Stud Load is directly proportional to the hydraulic pressure applied.
- A Nut Rotating Socket can be provided or the Nuts can be drilled.
- Allow 9 inches (23 cm) above the Tensioner for Hose assembly.

Inch Tool Model	Metric Tool Model	Thread Size		Maximum Force		Hydraulic Area		Weight		- A - Tool Diameter		- B - Bridge Chamfer		- C - Overall Height		- D - Min. Stud Pitch	
		Inch	Metric	lbf	kN	in ²	cm ²	lb	kg	in	mm	in	mm	in	mm	in	mm
F2A075	-----	3/4	18	33,370	148	1.534	9.90	2.6	1.2	2.30	58	0.88	22	2.9	72	1.82	46
-----	F2AM20	-----	20	33,370	148	1.534	9.90	2.6	1.2	2.30	58	0.88	22	2.9	73	1.78	45
F2B088	F2BM22	7/8	22	44,850	199	2.062	13.30	3.2	1.5	2.60	66	0.94	24	3.1	78	2.09	53
F2B100	F2BM24	1	24	44,850	199	2.062	13.30	3.2	1.5	2.60	66	1.06	27	3.2	81	2.25	57
-----	F2BM27	-----	27	44,850	199	2.062	13.30	3.3	1.5	2.60	66	1.06	27	3.2	81	2.25	57
F2C112	F2CM30	1-1/8	30	76,890	342	3.534	22.80	5.7	2.6	3.25	83	1.30	33	3.6	91	2.61	66
F2C125	F2CM33	1-1/4	33	76,890	342	3.534	22.80	5.9	2.7	3.25	83	1.48	38	3.7	94	2.84	72
F2D138	F2DM36	1-3/8	36	103,300	459	4.749	30.64	8.8	4.0	3.80	97	1.54	39	4.3	109	3.10	79
F2D150	F2DM39	1-1/2	39	103,300	459	4.749	30.64	8.8	4.0	3.80	97	1.61	41	4.4	113	3.26	83
F2E162	F2EM42	1-5/8	42	143,900	640	6.615	42.67	12	5.4	4.35	110	1.70	43	4.7	119	3.54	90
F2E175	F2EM45	1-3/4	45	143,900	640	6.615	42.67	12	5.5	4.35	110	1.88	48	4.8	122	3.73	95
F2F188	F2FM48	1-7/8	48	179,400	798	8.247	53.20	16	7.3	4.94	125	1.99	51	4.9	125	3.91	99
F2F200	F2FM52	2	52	179,400	798	8.247	53.20	15	6.9	4.94	125	2.05	52	5.1	129	4.01	102
F2G225	F2GM56	2-1/4	56	260,300	1,158	11.97	77.19	25	11	6.12	155	2.30	58	5.7	144	4.54	115
-----	F2GM60	-----	60	260,300	1,158	11.97	77.19	25	11	6.12	155	2.30	58	5.7	146	4.57	116
F2H250	F2HM64	2-1/2	64	299,000	1,330	13.74	88.67	29	13	6.28	160	2.70	69	5.9	149	4.99	127
F2J275	F2JM68	2-3/4	68	374,800	1,667	17.23	111.2	28	13	6.97	177	2.85	72	6.1	155	5.65	144
F2K300	F2KM72	3	72	421,000	1,873	19.35	124.9	43	20	7.45	189	3.10	79	6.6	168	6.04	153
-----	F2KM76	-----	76	421,000	1,873	19.35	124.9	44	20	7.45	189	3.10	79	6.6	168	5.87	149
F2L325	F2LM80	3-1/4	80	469,900	2,090	21.60	139.3	50	23	7.85	199	3.35	85	7.0	177	6.54	166
F2M350	F2MM85	3-1/2	85	532,600	2,369	24.48	158.0	61	28	8.50	216	3.50	89	7.5	189	6.85	174
-----	F2MM90	-----	90	532,600	2,369	24.48	158.0	62	28	8.50	216	3.50	89	7.5	190	6.85	174
F2N375	F2NM100	3-3/4	100	704,800	3,135	32.40	209.0	91	41	9.75	248	4.03	102	7.9	200	7.49	190
F2N400	-----	4	-----	704,800	3,135	32.40	209.0	88	40	9.75	248	4.13	105	8.2	207	7.71	196

Maximum Operating Pressure: 21,750 psi (1,500 Bar)

Stroke: Models F2A & F2B: 0.39" (10 mm) • Model F2C: 0.47" (12 mm) • Model F2D and Larger: 0.59" (15 mm)

Notes:

1. These specifications are for our standard sizes. Custom designs are our specialty and are readily available.
2. Product development is continually taking place and changes to these specifications may occur at any time.

© Copyright Hydraulics Technology Inc. 2009

HTI

Hydraulics Technology Inc.

1100 Old Magnolia Road • Conroe, Texas 77304 • (936) 494-2000 • Fax (936) 494-2005
 Website: www.htico.com • E-mail: tensioners@htico.com

